

Transition Damper • 6½" Deep • Airfoil Blades • Parallel or Opposed • Round and Oval Transition • Extruded Aluminum

For use to 6 in. w.g. of static pressure

Standard Construction and Materials

FRAME: 1½" x 6½" x 1½" extruded aluminum channel frame with a .080" thick (nominal) aluminum transition piece.

BLADE: Extruded aluminum, airfoil design.

BEARINGS: Double-sealed.

LINKAGE: In jamb, out of air stream.

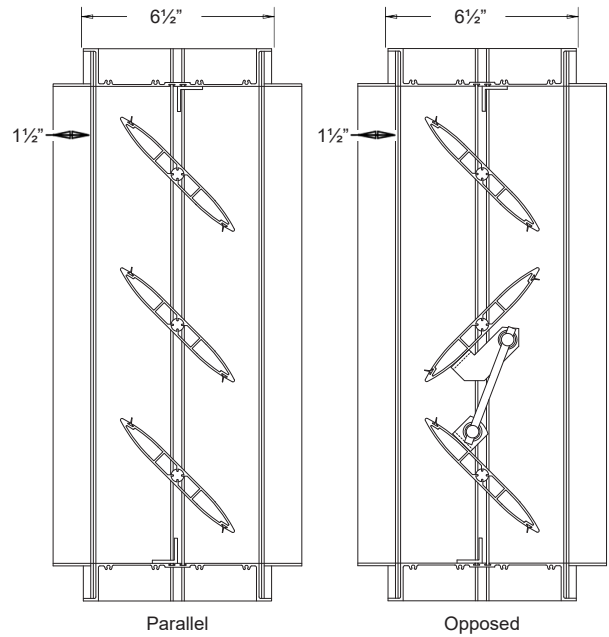
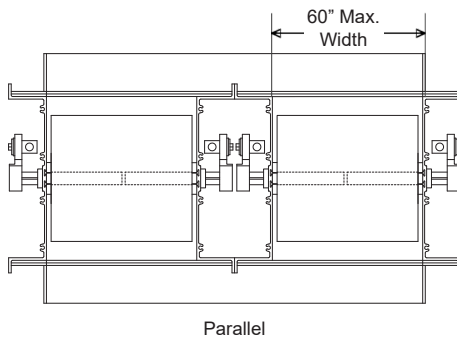
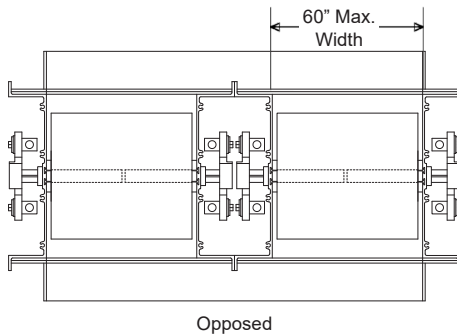
FINISH: Mill.

Notes

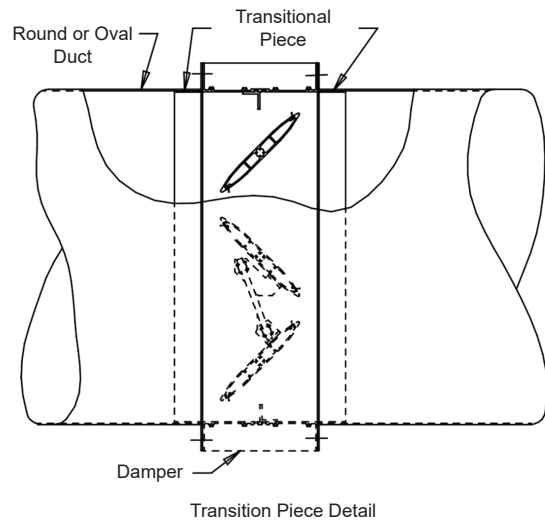
1. Nominal deductions will be made to the opening size given.
2. Please specify blade position: Parallel or Opposed.
3. Approximate shipping weight is 7 lbs./sq.ft.

Damper Sizes

Min Size	Max Size
10"W x 10"H	60"W x 60"H



Not to scale.



Item #	Qty	Width	Height	Parallel	Opposed	Round	Oval	Damper Size (in.)			Blade Position		Transition Type		Union Made
Arch. / Eng.:				EDR:		ECN:		Job:							
Contractor:															
Project:				Date:		DWN:		DWG:							

In the interest of product development, CESCO Products reserves the right to make changes without notice.



450 Riverside Dr • Wyalusing PA, 18853
 Phone: 570-746-1888 • Fax: 570-746-9286
 www.cescoproducts.com